

LHD BUCKET

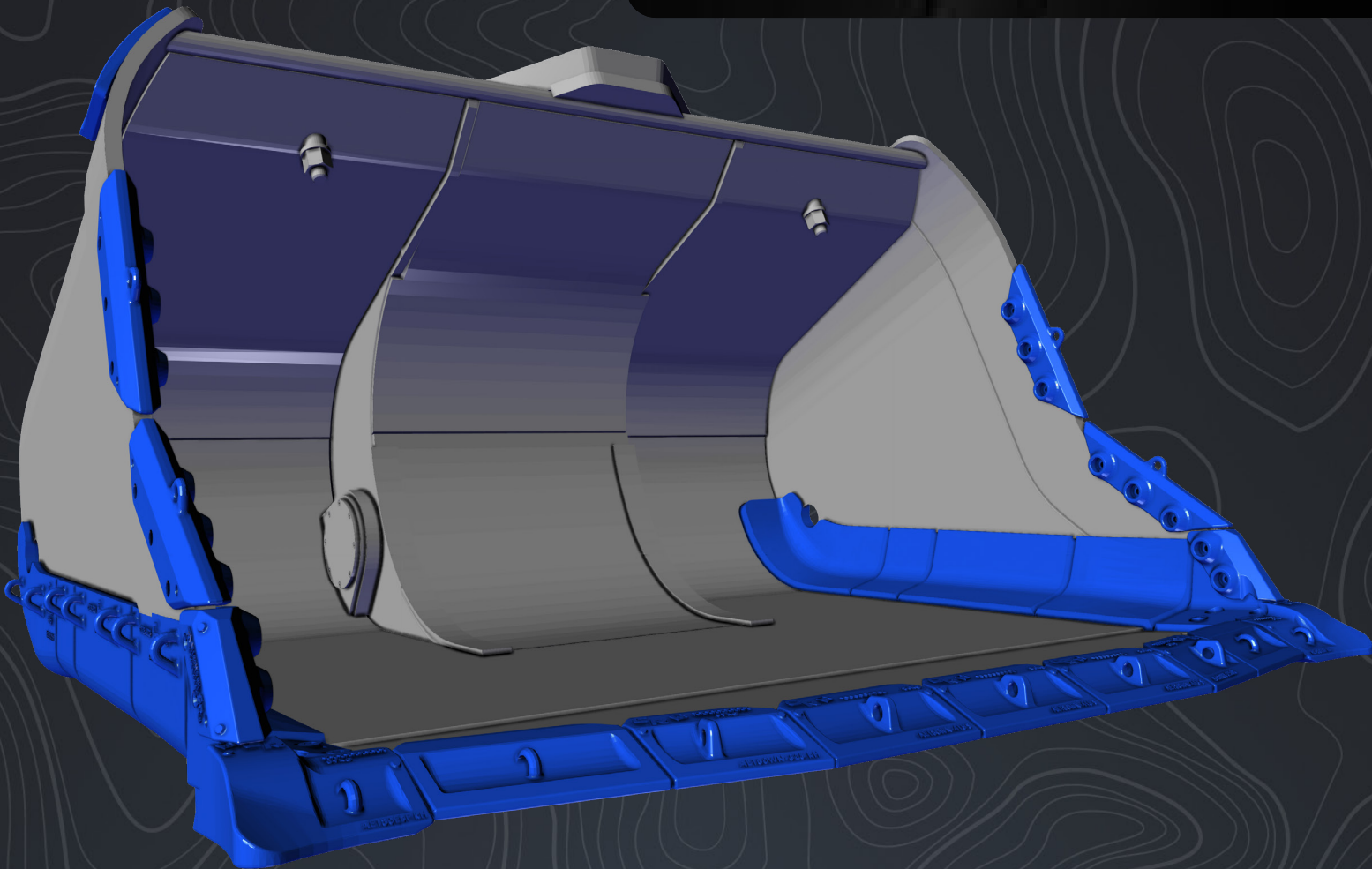
Designed and engineered to reduce cost of maintenance
and increased production

Stronger, more productive buckets

The bucket design simplifies maintenance by removing bucket features that create additional costs and optimizing material selection and placement

Tailor-fit buckets for any LHD loader

Each bucket is made to order, available for any LHD model, and customized to address specific needs



Safer, stronger, and more productive



Critical performance drivers

Up to 20% increase in service hours

Cast bucket corners

- No need for heel blocks
- Reduced dig energy
- Reduced carry-back

GET performance

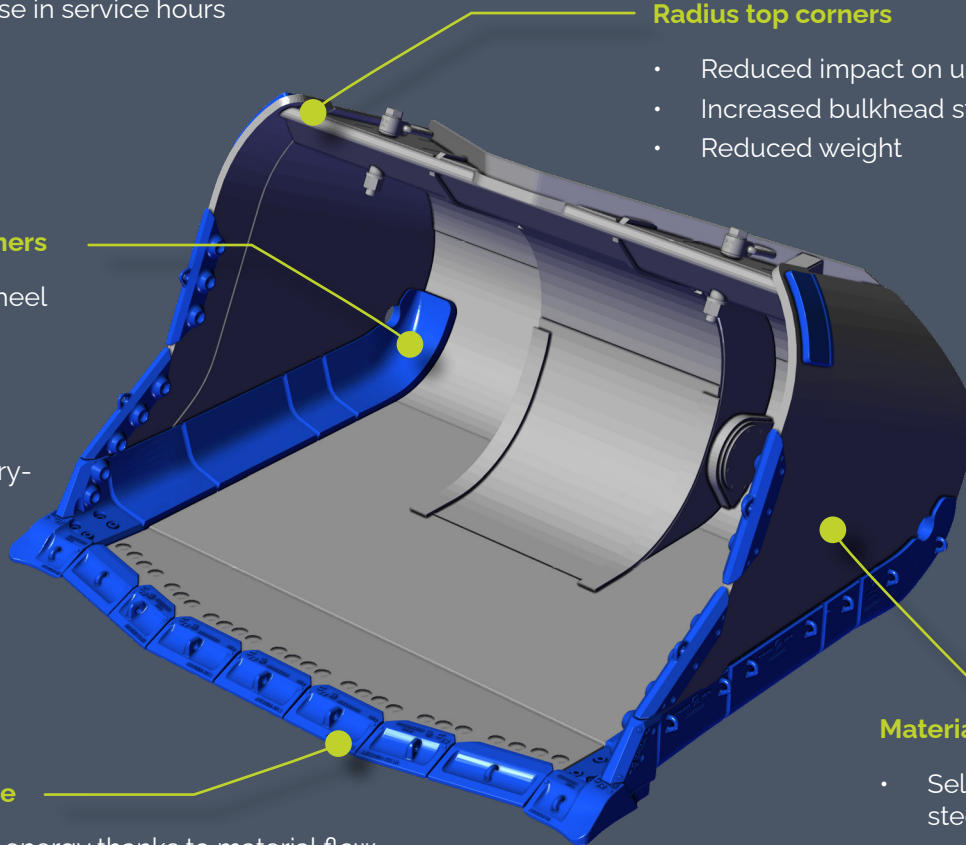
- Reduced dig energy thanks to material flow
- Safety focused retainer system
- Increased wear life thanks to material placement

Radius top corners

- Reduced impact on underground utilities
- Increased bulkhead strength
- Reduced weight

Material selection

- Select range of Q/T steels
- Reduced maintenance costs
- Increased service life



Our select range of Q/T steels provides an exceptional abrasion resistance and structural integrity blend

GET options

Wearpact™

The market leader lip for hard rock mines.


Armourblade™

The industry's best weld-on, low profile, high-penetration bucket edge system.


CR Powered by Epiroc is on a mission to revolutionize mining productivity.

We engineer the most advanced surface and underground mining solutions for the world's best miners to unlock productivity, enhance safety, and reduce emissions.

Start the conversation

 (+61) 1800 987 525

 Globalsales@crmining.com

 (+1) 866 276 4637

 crmining.com